

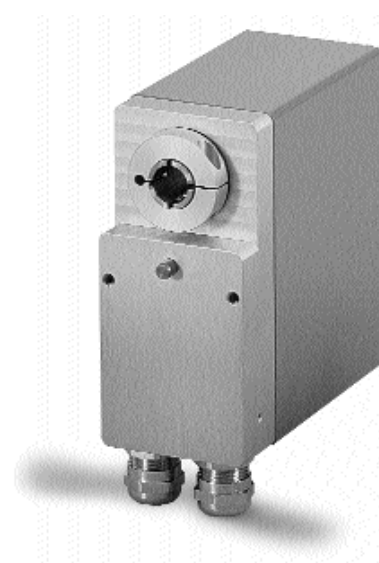
DRIVECOD

Positioning unit

series

RD12

CE



RD12



www.lika.biz
• Manual
• Data-sheet

ENVIRONMENTAL SPECIFICATIONS

Operating temperature range:	0°C +60°C (32°F +140°F)
Storage temperature range:	-20°C +80°C (-4°F +176°F) (98% R.H. without condensation)
Protection:	IP54

MECHANICAL SPECIFICATIONS

Dimensions:	see drawing
Shaft hollow:	Ø 14 mm
Shaft loading (axial and radial):	100 N axial 200 N radial
Electrical connections:	2 x 0,2 m (1 ft) cable with DSub connector
Torque/Shaft rotational speed:	5 Nm @ 60 rpm (T48) 2,5 Nm @ 120 rpm (T24) 1,2 Nm @ 240 rpm (T12)
Weight:	~ 1,8 kg (63,5 oz)

ELECTRICAL SPECIFICATIONS

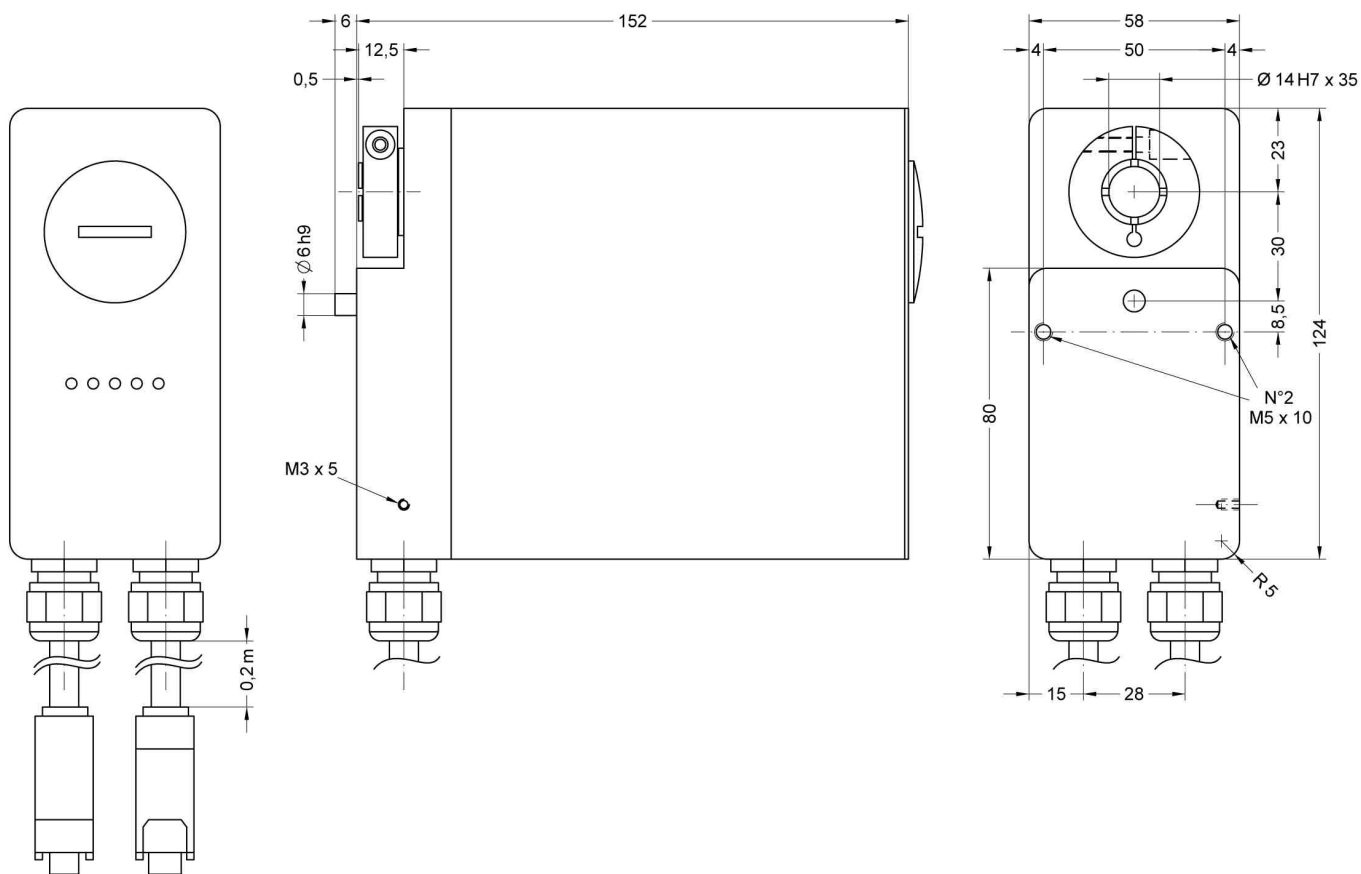
Resolution:	1024 inf./rev. x 1024 rev.
Power supply:	+24Vdc ± 10%
Power (motor):	24 W
Electronic life:	> 100.000 hrs
Motor life:	> 3.000 hrs
Service interface:	RS232
Bus Interface:	Profibus-DP, CANopen, RS485

MATERIALS

Flange:	non corroding
Housing:	sheet metal
Bearings:	ABEC 5
Shaft:	stainless steel, non-magnetic
Motor:	Direct current motor 24V - 3000 rpm

ACCESSORIES

CC-RD1:	mating connectors kit
KIT RD:	Set-up kit



RD12

ORDERING CODE

