

ROTAMAG

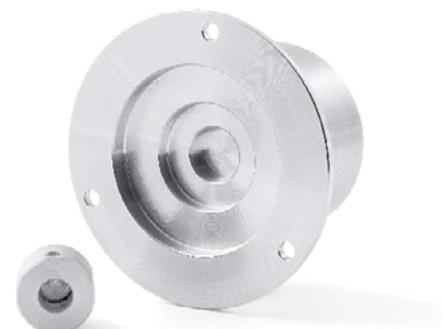
Magnetic bearingless encoder

Series

MIK36



- High speed rotary encoder
- Bearingless, non contact design
- IP67 or IP68 protection with sealed circuits
- Incremental version



MIK36

ENVIRONMENTAL SPECIFICATIONS

Shock:	100 g, 6 ms
Vibrations:	10 g, 5-2000 Hz
Protection:	IP67
Operating temperature range:	-20°C +85°C (-4°F +185°F)
Storage temperature range:	-20°C +85°C (-4°F +185°F) (98% R.H. without condensation)
Option:	• IP68 protection with sealed circuits

MECHANICAL SPECIFICATIONS

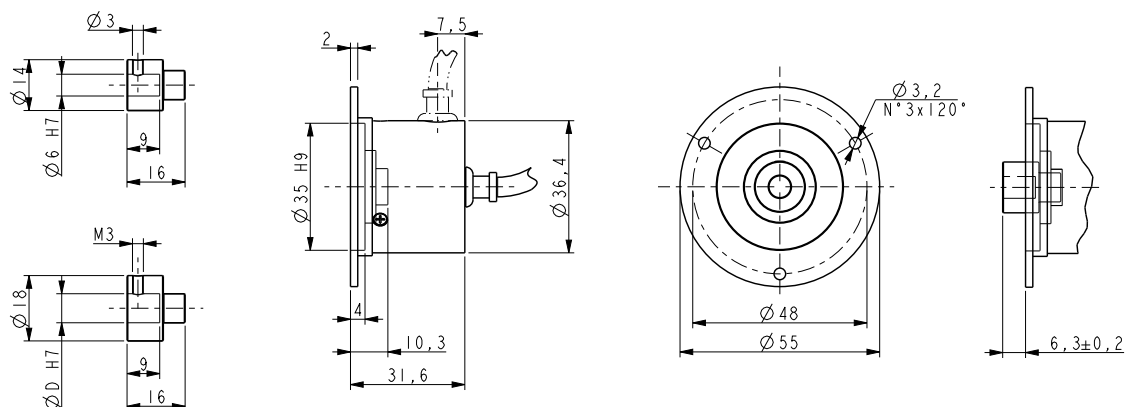
Dimensions:	see drawing
Shaft diameter:	Ø 6, 8, 10 mm
Shaft rotational speed:	30000 rpm max.
Electrical connections:	M12 8 pin inline plug or cable output 1 m (3.3 ft)
Weight:	~ 50 g (1,7 oz)
Option:	• additional cable

ELECTRICAL SPECIFICATIONS

Resolution (PPR):	4-8-10-16-20-25-32-40-50-64-80-100 125-128-200-250-256-400-500-512-1024-2048
Accuracy:	± 0,9°
Counting frequency:	300 kHz max.
Output circuits:	NPN, Push-Pull, Line Driver
Power supply:	5Vdc ±5%, +10Vdc +30Vdc
Consumption:	50 mA max.
Output current (each channel):	40 mA max.
Protection:	against inversion of polarity and short-circuit (except L circuit)
EMC:	electro-magnetic immunity, according to: EN-61000-4-2 EN-61000-4-4

MATERIALS

Flange:	anticorodal, UNI EN AW-6082
Housing:	anticorodal, UNI EN AW-6082
Shaft:	anticorodal, UNI EN AW-6082



MIK36

MIK36 Resolution	Rpm max.
> 128	30000
> 256	20000
> 512	10000
1024	5100
2048	2550

Order code - Incremental encoder

MIK36	-	X a	-	XXXX b	XXX c	X d	XX e	X f	X g	XX h	/Sxxx i
-------	---	--------	---	-----------	----------	--------	---------	--------	--------	---------	------------

<p>a OUTPUT CIRCUITS</p> <p>N = NPN Y = Push Pull L = Line Driver (RS422)</p>	<p>c OUTPUT SIGNALS</p> <p>ZNF = ABO ZCU = ABO, /ABO</p>	<p>e SHAFT DIAMETER</p> <p>6 = 6 mm 8 = 8 mm 10 = 10 mm</p>	<p>h CONNECTIONS</p> <p>L1 = cable output 1 m (standard) L2 = cable output 2 m Lx = cable output x m M0,5 = 0,5 m cable + M12 8 pin inline plug M2 = 2 m cable + M12 8 pin inline plug</p>
<p>b RESOLUTION (PPR)</p> <p>See electrical specifications</p>	<p>d SUPPLY VOLTAGE</p> <p>1 = +5V±5% (L output circuit) 2 = +10V÷ +30V (Y or N output circuit)</p>	<p>f CONNECTION POSITION</p> <p>- = axial R = radial</p>	<p>i CUSTOM VERSION</p>
		<p>g PROTECTION</p> <p>- = IP67 J = IP68 with sealed circuits</p>	