

# ROTACOD

Absolute multi turn encoders

Series

EM58 TA • EM58S TA • EMC58 TA



- Accurate analogue conversion
- Multiple voltage and current outputs
- Teach-in of travel length by push buttons
- Overrun function
- M12 or cable connection



EM58 TA • EM58S TA • EMC58 TA

## ENVIRONMENTAL SPECIFICATIONS

Shock:	100 g, 6 ms
Vibrations:	10 g, 5-2000 Hz
Protection:	IP67, IP65 shaft side
Operating temperature range:	-25°C +85°C (-13°F +185°F)
Storage temperature range:	-40°C +100°C (-40°F +212°F) (98% R.H. without condensation)

## MECHANICAL SPECIFICATIONS

Dimensions:	see drawing
Shaft diameter:	Ø 6, 8, 9.52, 10, 12 mm
Hollow shaft diameter:	Ø 14, 15 mm
Reducing sleeves BR1-xx from Ø 15 mm to:	Ø 6, 8, 9.52, 10, 11, 12 mm
Shaft loading (axial, radial):	100 N max.
Shaft rotational speed:	12000 rpm, 9000 rpm continuous operation
Bearings life:	400 x10 <sup>6</sup> rev. min. (10 <sup>9</sup> rev. min. with 20 N shaft loading max.)
Electrical connections:	M12 plug or cable output 2 m (6.56 ft)
Weight:	~ 250 g (8,8 oz)
Option:	• additional cable

## ELECTRICAL SPECIFICATIONS

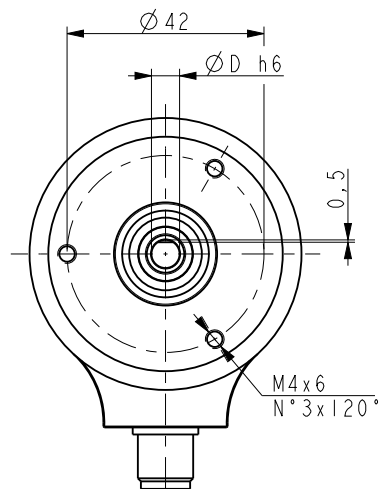
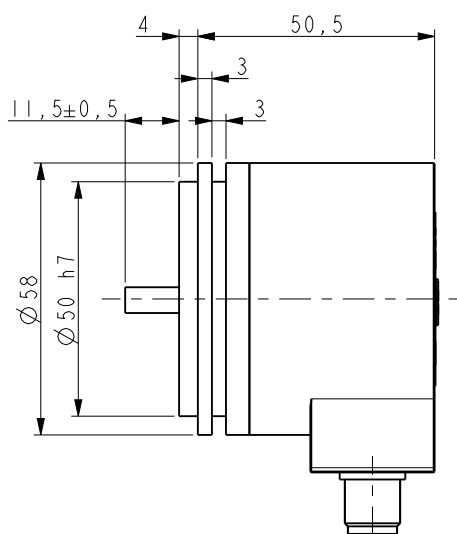
Resolution:	4096 cpr x 16384 turns max. (programmable with Teach-in)
Accuracy:	± 0,04° - D/A 16 bit conversion
Output:	0-5V, 0-10V, +/-5V, +/-10V, 4-20mA, 0-20mA, 0-24mA
Counting frequency:	> 150 kHz
Power supply:	+13Vdc ÷ 30Vdc
Power consumption:	1.3 W max.
Start-up time:	~ 40 ms
Protection:	against inversion of polarity and short-circuit
EMC:	electro-magnetic immunity, according to: EN 61000-4-2 EN 61000-4-4
Optoelectronic life:	> 100.000 h
Functions:	• Teach-in of travel length • Overrun

## MATERIALS

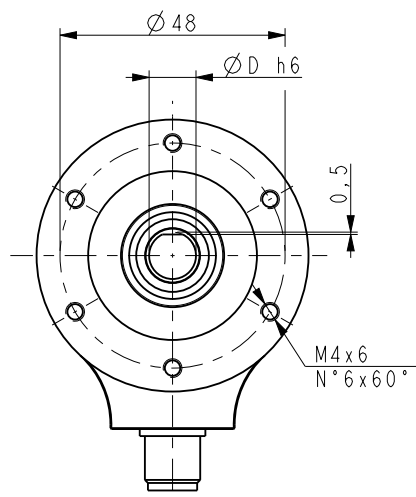
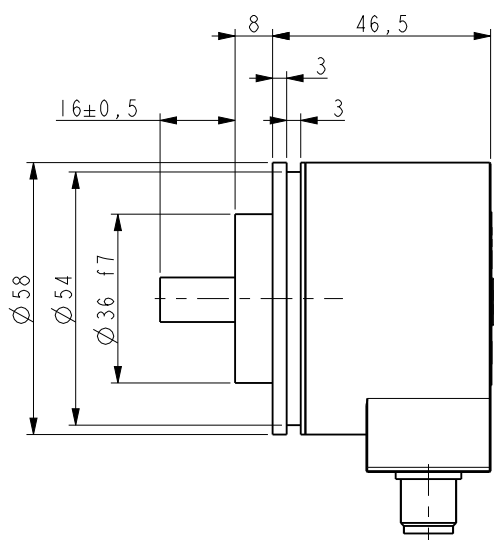
Flange:	anticorrosive, UNI EN AW-6082
Housing:	anticorrosive, UNI EN AW-6082
Bearings:	ABEC 5
Shaft:	stainless steel, non magnetic, UNI EN 4305

## ACCESSORIES

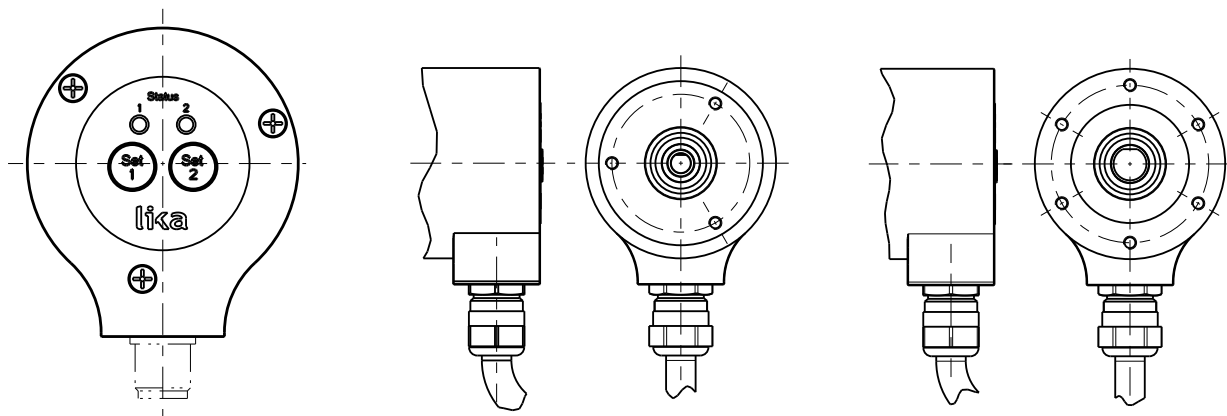
E-M12FC:	M12 5 pin connector
PAN/PGF:	flexible couplings
BR1:	reducing sleeves
LKM-386:	fixing clamps

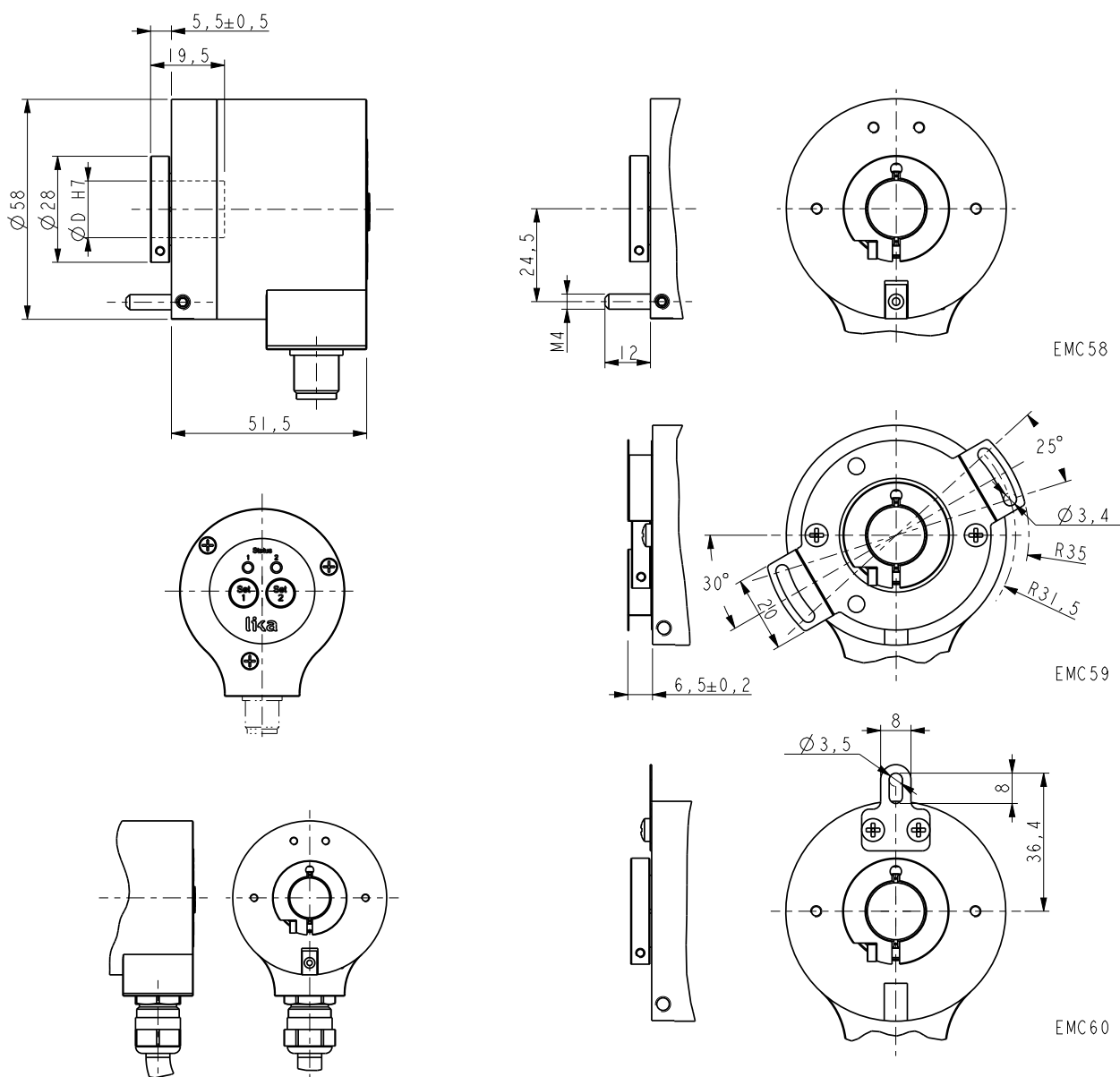


EM58 TA



EM58S TA





Order code

EM58	XX	/	XXXXX	XXX	-	XX	-	X	XX	/Sxxx
EM58S	Ⓐ		Ⓑ	Ⓒ		Ⓓ		Ⓔ	Ⓕ	Ⓖ
EMC58										
EMC59										
EMC60										

<p>Ⓐ RESOLUTION 12 = 4096 cpr</p> <p>Ⓑ REVOLUTIONS 16384 = 16384 turns</p>	<p>Ⓒ OUTPUT TI1 = 4-20 mA TI2 = 0-20 mA TI3 = 0-24 mA TV1 = 0-5V TV2 = 0-10V TV3 = +/- 5V TV4 = +/- 10V</p>	<p>Ⓓ SHAFT DIAMETER 6 = 6 mm 8 = 8 mm P9 = 9.52mm / 3/8" 10 = 10 mm 12 = 12 mm 14 = 14 mm (only EMCxx) 15 = 15 mm (only EMCxx)</p>	<p>Ⓔ CONNECTION POSITION R = radial</p> <p>Ⓕ CONNECTIONS L2 = cable output 2 m (standard) L5 = cable output 5 m L10 = cable output 10 m M = M12 5 pin plug</p>	<p>Ⓖ CUSTOM VERSION</p>
--	---	--	--	-------------------------