

ROTACOD

Absolute encoders with CANopen output

Series

Ax58 • Ax58S • AxC58 EasyCAN

- Compact CAN single and multi turn encoders
- High resolution, 18 bits or 30 bits
- CANopen and CANlift protocols
- Point-to-point connection
- Velocity output & roundloop function
- Resistant against magnetic fields

CANopen



AS58 EasyCan

ENVIRONMENTAL SPECIFICATIONS

Shock:	100 g, 6 ms
Vibrations:	10 g, 5-2000Hz
Protection:	IP67, IP65 shaft side
Operating temperature range:	-25°C +85°C (-13°F +185°F)
Storage temperature range:	-40°C +100°C (-40°F +212°F) (98% R.H.without condensation)

MECHANICAL SPECIFICATIONS

Dimensions:	see drawing
Shaft diameter:	Ø 6, 8, 9.52, 10, 12 mm
Hollow shaft diameter:	Ø 14, 15
Reducing sleeves BR1-xx from Ø 15 mm to:	Ø 6, 8, 9.52, 10, 11, 12 mm
Shaft loading (axial, radial):	40 N max.
Shaft rotational speed:	6000 rpm max.
Starting torque (at 20°C):	< 1 Ncm (typical)
Bearings life:	400 x 10 ⁶ rev. min. (10 ⁹ rev. min. with shaft loading of 20 N max.)
Electrical connections:	M12 plug or cable output 2 m (6,56 ft)
Weight:	~ 250 g (8,8 oz)
Option:	• additional cable

ELECTRICAL SPECIFICATIONS

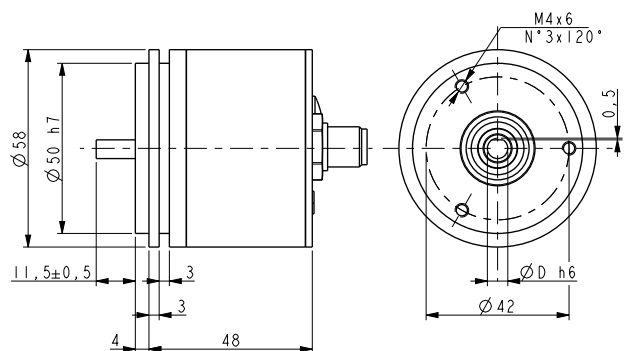
Resolution:	single turn = 4096, 65536, 262144 cpr multi turn = 65536 cpr x 16384 turns
Accuracy:	± 0,007°
Counting frequency:	220 kHz max.
Power supply:	+10V +30V
Power consumption:	AS = 1.2 W, AM = 3 W
Interface:	CANopen DS301, DS406, Class 2 (RS485) CANlift DS301, DSP417, Class 2 (RS485)
Programmable parameters:	<ul style="list-style-type: none"> • Baudrate • Device address (Node ID) • Scaling function • Counting direction • Preset value • Two software limit switches • Transmission mode: Cyclic, Sync • Velocity output • Round loop function
Bus termination:	programmable by Dip-switches
Protection:	against inversion of polarity and short-circuit
EMC:	electro-magnetic immunity, according to: EN 61000-4-2 EN 61000-4-4
Optoelectronic life:	100.000 h min.

MATERIALS

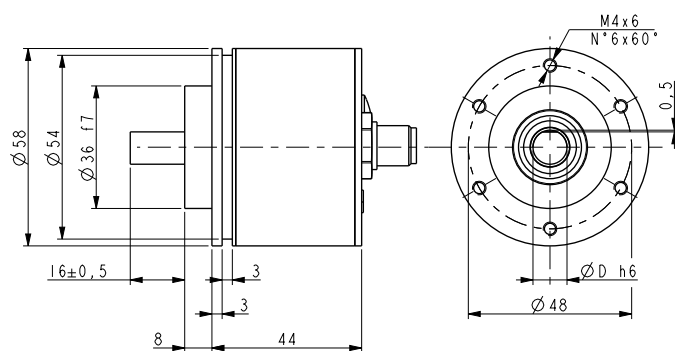
Housing:	anticorodal, UNI EN AW-6082
Flange:	anticorodal, UNI EN AW-6082
Bearings:	ABEC 5
Shaft:	stainless steel, non-magnetic, UNI EN 4305

ACCESSORIES

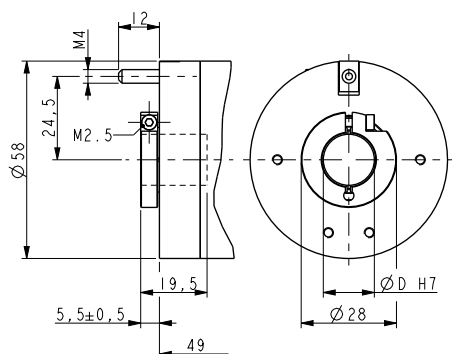
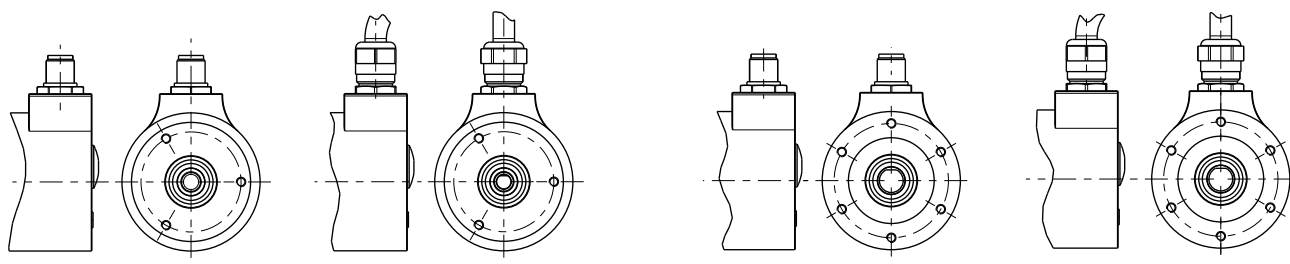
EM12FC:	M12 5 pin mating connector
PAN/PGF:	flexible couplings
BR1:	reducing sleeves
LKM-386:	fixing clamps



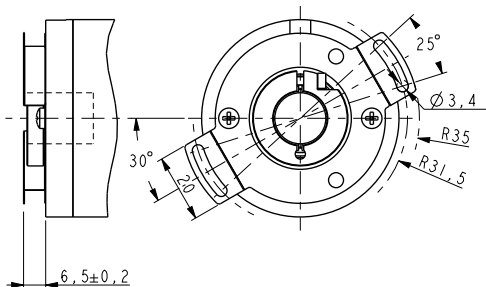
AS58



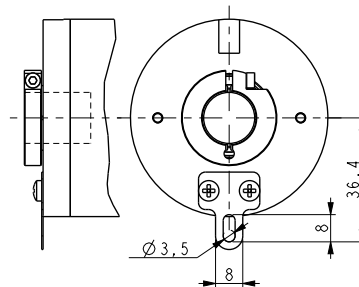
AS58S



ASC58



ASC59



ASC60

Order code - Single turn

AS58	XX	/	XX	-	XX	-	X	XX	/Sxxx
AS58S	(a)		(b)		(c)		(d)	(e)	(f)
ASC58									
ASC59									
ASC60									

(a) RESOLUTION

12 = 4096 cpr
16 = 65536 cpr
18 = 262144 cpr

(b) INTERFACE

CB = CANopen (DS301, DS406)
I6 = CANlift (DS301, DSP417)

(c) SHAFT DIAMETER

6 = 6 mm
8 = 8 mm
P9 = 9.52 mm, 3/8"
10 = 10 mm
12 = 12 mm
14 = 14 mm (only ASCxx)
15 = 15 mm (only ASCxx)

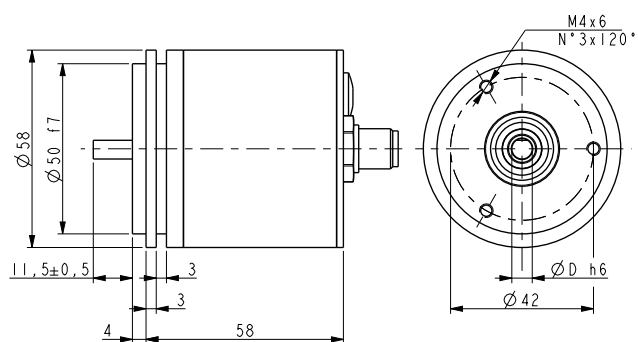
(d) CONNECTION POSITION

- = axial
R = radial

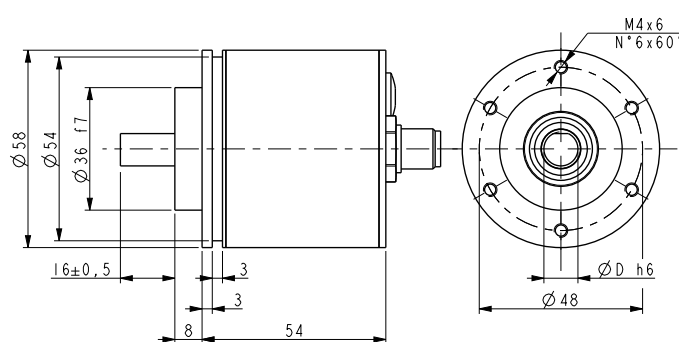
(e) CONNECTIONS

L2 = cable output 2 m (standard)
L5 = cable output 5 m
M = M12 5 pin plug

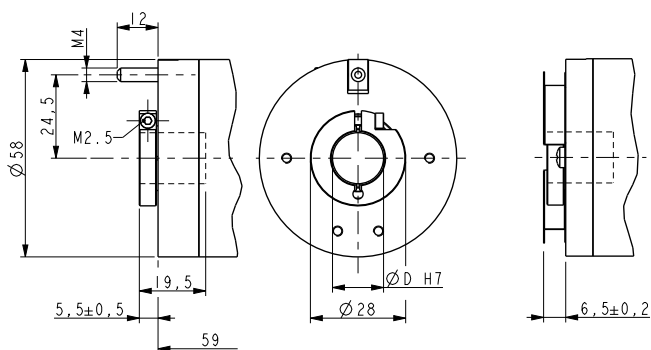
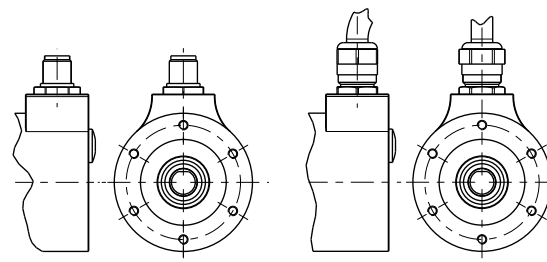
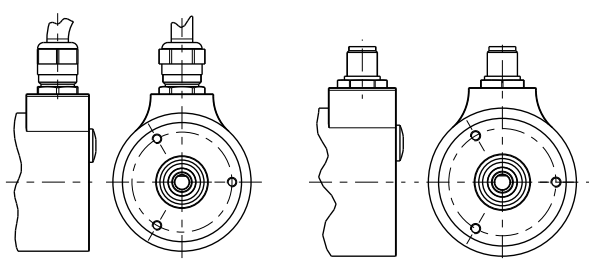
(f) CUSTOM VERSION



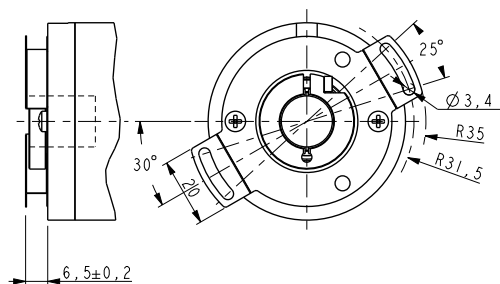
AM58



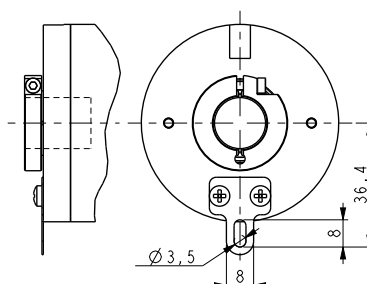
AM58S



AMC58



AMC59



AMC60

Order code - Multi turn

AM58	XX/XXXXX	XX	-	XX	-	X	XX	/Sxxx
AM58S	(a)	(b)		(c)		(d)	(e)	(f)
AMC58								
AMC59								
AMC60								

<p>(a) RESOLUTION 16/16384 = 65536 cpr x 16384 turns</p> <p>(b) INTERFACE CB = CANopen (DS301, DS406) I6 = CANlift (DS301, DSP417)</p>	<p>(c) SHAFT DIAMETER 6 = 6 mm 8 = 8 mm P9 = 9.52 mm, 3/8" 10 = 10 mm 12 = 12 mm 14 = 14 mm (only AMCxx) 15 = 15 mm (only AMCxx)</p>	<p>(d) CONNECTION POSITION - = axial R = radial</p> <p>(e) CONNECTIONS L2 = cable output 2 m (standard) L5 = cable output 5 m M = M12 5 pin plug</p>	<p>(f) CUSTOM VERSION</p>
--	---	--	----------------------------------